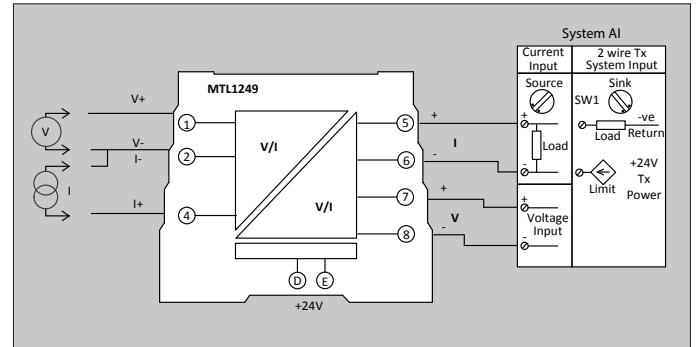


MTL1249 signal converter

voltage / current

The **MTL1249** is a single channel signal conditioner which can accept voltage or current inputs and provide a voltage or current output. The signal levels are selected by the user using switches on the module.

Power for this module is supplied via the power bus embedded in the DIN rail in conjunction with the power bus accessories.



Terminals	Function
1	Voltage input (+)
2	Voltage / Current Input -
4	Current input +

Terminals	Function
5	Current Output +
6	Current output -
7	Voltage output +
8	Voltage output -
D	Power supply -ve
E	Power supply +ve

SPECIFICATION	
See also common specification	
Number of channels	One, with fully floating input and outputs
Location of equipment	Safe area
Input signal ranges	0-100mV, 0-1V, 0-5V, 0-10V, 1-5V, 0-20mA, 4-20mA
Output signal ranges	0-5V, 1-5V, 0-10V, 2-10V, 0-20mA, 4-20mA, sink or source
Over-range	>103%
Field input resistance	Current mode 25Ω Voltage mode >100kΩ
System output load	Current mode @ 20mA: 0 to 550Ω Voltage mode 10kΩ (output impedance <150Ω)
Response time	20mS
Transfer Accuracy at 20 °C	0.2% (0.4% 100mV input)
Temperature drift	<0.01% of span/°C
Power supply voltage,	18V to 32V DC
Maximum current consumption (with 20mA signal)	38mA @ 24V dc
Maximum power dissipation within unit	<1W @ 24V dc
Isolation	50V ac or dc between power, field and system circuits. (tested to 840V)